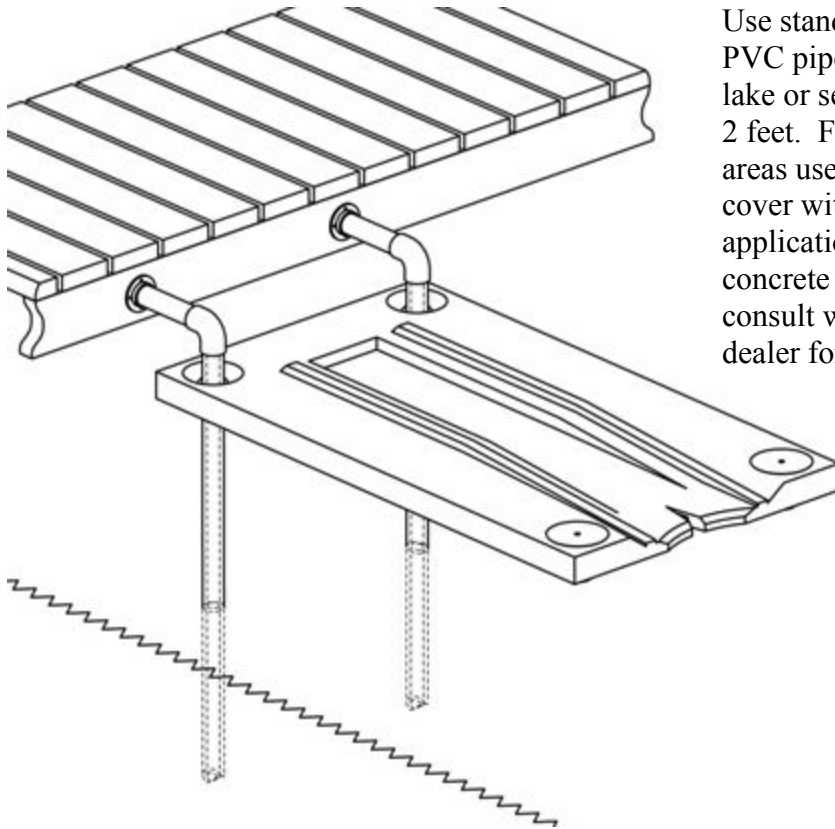


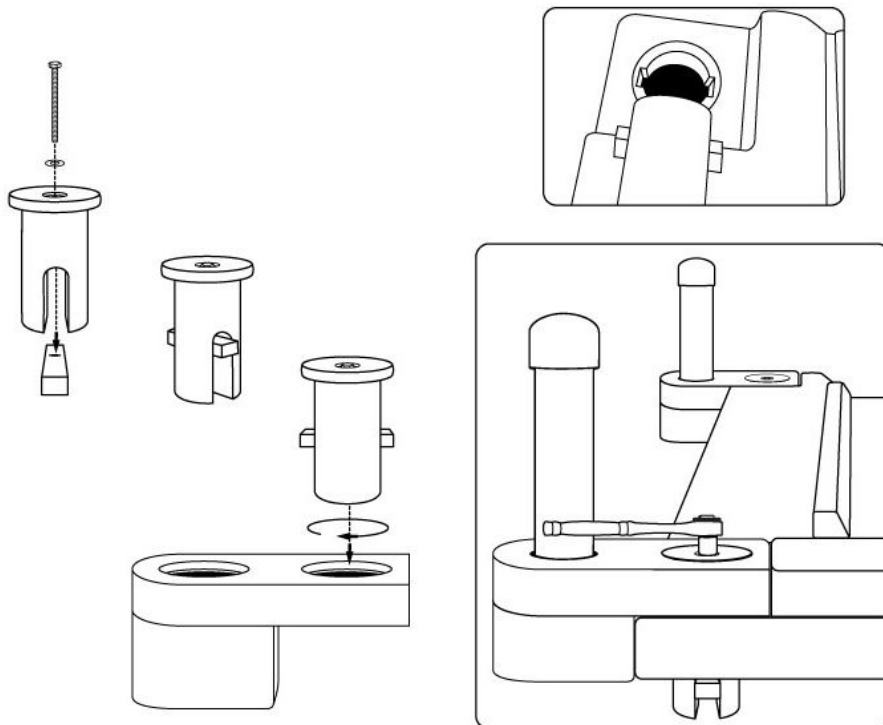
Fixed Dock Installation Diagram

Front mount fixed dock Installation



Use standard schedule 40 PVC pipe and run pipe into lake or sea bottom of at least 2 feet. For rock or clay areas use HDG Pipe and cover with PVC pipe. Some applications may require concrete pour, please consult with your Jet-port dealer for any questions.

Side mount fixed dock Installation with 4" External Pine Holder Kit



* Socket Wrench should fit 1/2" hex Bolt. Run pipe through Pine Holder kit into lake or sea bottom of at least 2 feet. For rock or clay areas use HDG Pipe and cover with PVC pipe. Some applications may require concrete pour, please consult with your Jet-port dealer for any questions