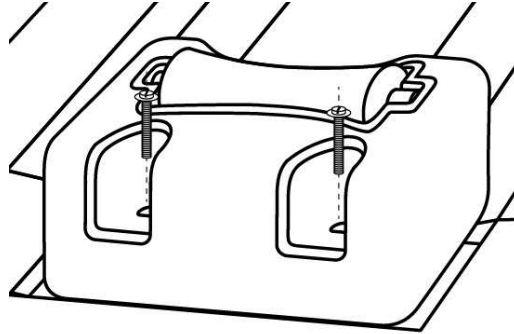


## Installation of Bow Stop Roller Assembly Kit

### Parts List

(2 Bow stop Screws 1/4" x 3/4")

1 Roller Assembly with Keel Wheel



The Bow Stop Roller Assembly Kit is to be placed on bow stop recess area located on the front of the main float. This will raise the nose of your watercraft which adds more weight towards the back. This enables easier launching. If your watercraft keeps on rolling off or will not stay on the float then remove the roller assembly kit. If problem persists then start taking every other set of rollers off on the rails.

