

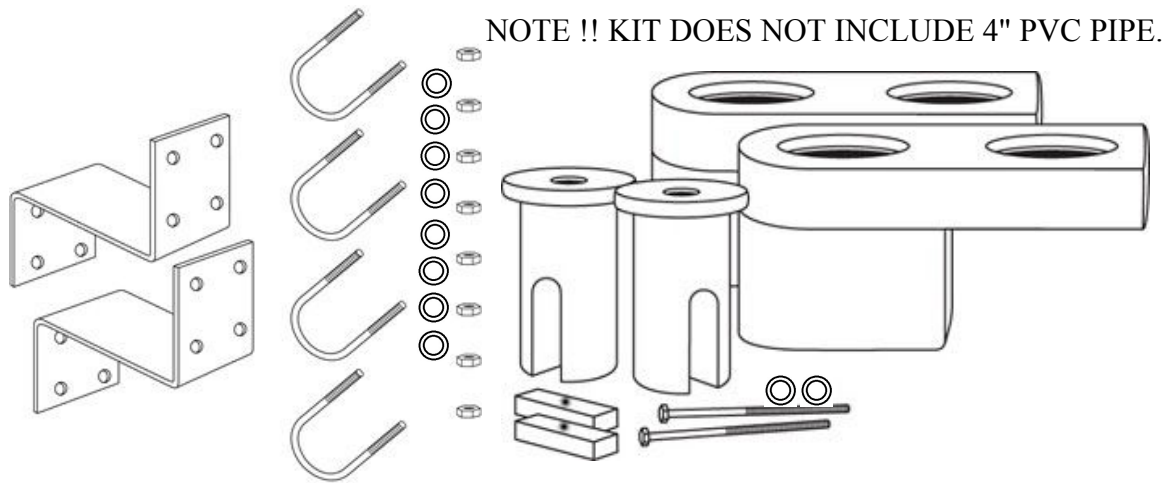
External Pipe Holder Kit Side Mount Kit

Includes the following:

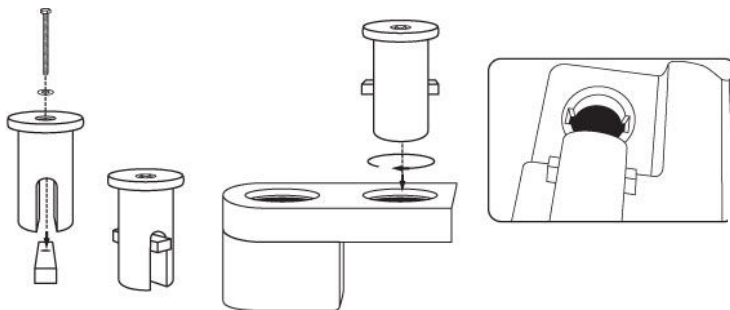
2 HDG Short "Z" Brackets

Four U Bolts with Nuts & Washers

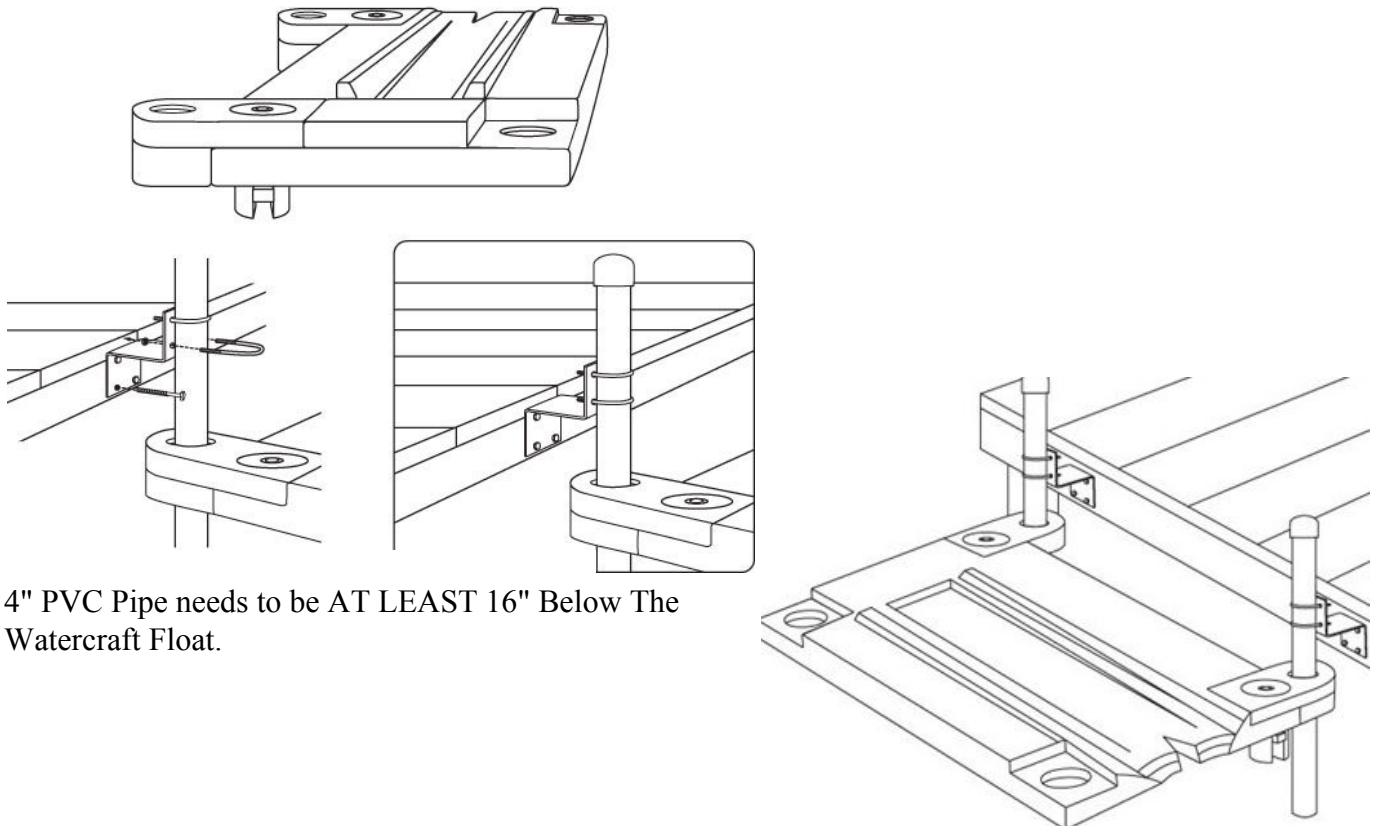
Two 4" External Pipe Holder Kits (Includes 2 Structure Plugs, 2 UHMW Blocks with 1/2" Bolts)



External Pipe Holder Side Mount Attachment Kit needs to be installed above flood level.



The Z brackets need to be at least 14" above waterline.



4" PVC Pipe needs to be AT LEAST 16" Below The Watercraft Float.