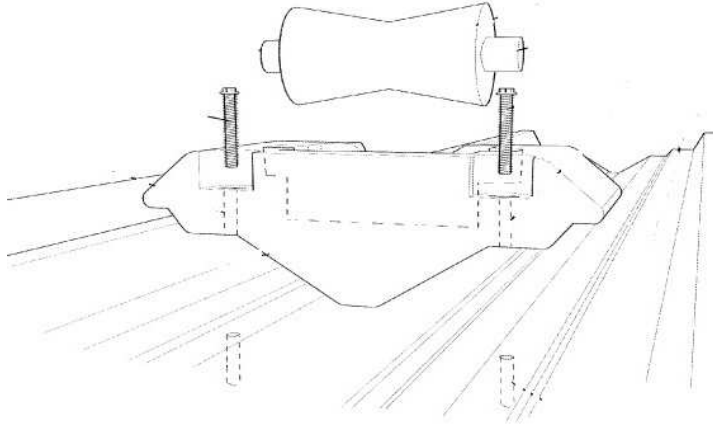


Installation of Patent Roller Assembly kit US patent (8,904,950)

Parts

(2 Bow stop Screws 1/4" x 3/4")
1 Roller Assembly with keel wheel



The Roller Assembly Kit can be placed at three different locations on the front of the main float. The set of inserts towards the back will raise the nose of your watercraft the most and add more weight towards the back. This setting is the easiest to drive your boat off the float. If your watercraft keeps on rolling off or will not stay on the float then move the roller assembly to the next set of inserts towards the front. If you are still having the same issue then remove the roller assembly kit completely. If problem persists then start taking every other set of rollers off on the rails.

Sets of inserts for Roller Assembly Kit

