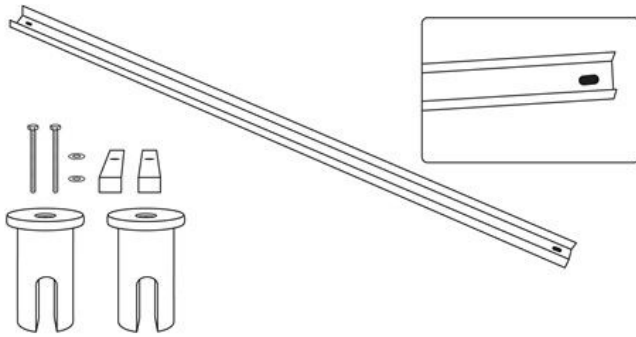


Wing Kit Installation



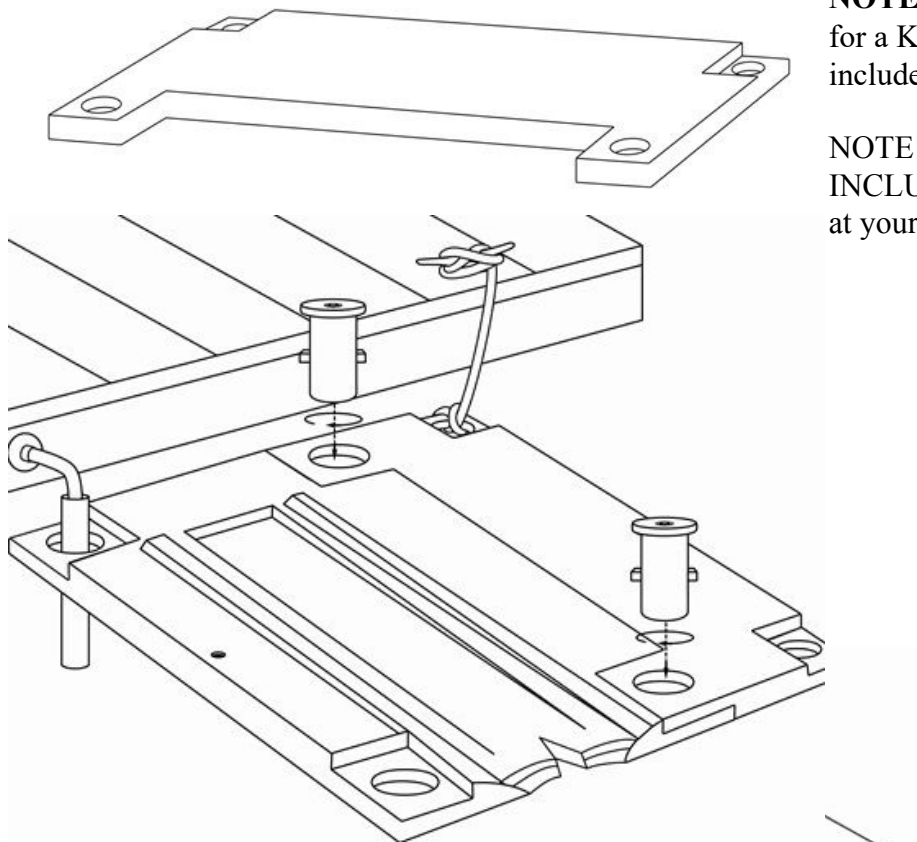
Parts List:

Wing Attachment Kit Includes:

- One Polyethylene Wing Attachment
- Two Structure Plug Assembly
- One Support Bar with Bolts & Nuts

NOTE!!! If Wing Attachment kit is in use for a Kayak Dock the Support bar is not included for use for that product.

NOTE! Wing Attachment Kit DOES NOT INCLUDE Rope. Rope may be purchased at your local hardware store.



Temporary rope up support bar to watercraft float to prevent bar from falling into water.

Walk the support bar down the watercraft float and bolt through each bolt hole and attach washer and nut and tighten.

